

Electrical Properties:

Frequency Range: 2.4~2.5 GHz  
 Impedance: 50Ω nominal  
 VSWR: <2.0:1  
 Gain: \*2.0 dBi  
 Radiation: Omni  
 Polarization: Vertical

\*Gain is measured under no flying lead.

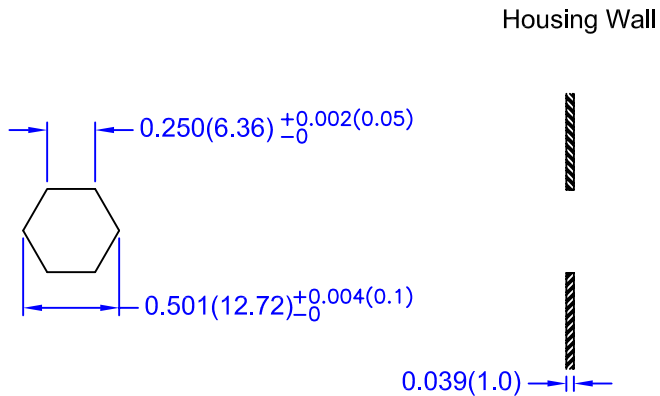
Mechanical Properties:

Cable: 1.37mm dia. Coax  
 Cable Length: Standard length L=6 inches  
 or to be specified.  
 Connector: IPEX MHF micro coaxial connector  
 Plug(female) 20278-\*\*1R-32  
 fit for IPEX: 20279-001E-01;  
 Hirose: CL331-0471-0-10

Material:  
 Overmold: Polyurethane(Black); BASF  
 Bushing: Polycarbonate(Black); Bayer  
 Swivel: Polyurethane(Black); BASF and  
 Polycarbonate(Black); Bayer

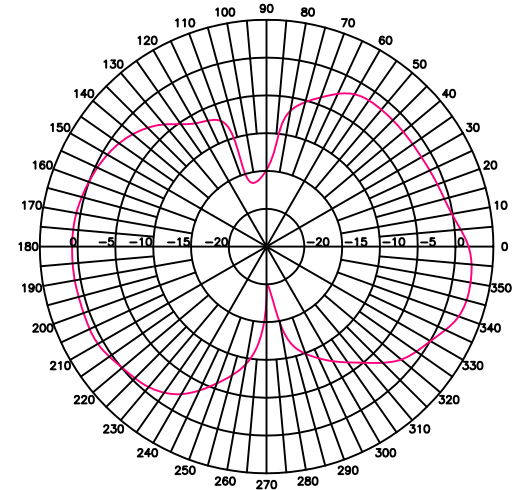
Operation Temp.: -20°C to +65°C  
 Storage Temp.: -30°C to +75°C

TITLE	2.4GHz flying lead panel click antenna - 131 model		DATE	SHEET
			123004	1 of 4
UNIT	DWG. NO.	S131CL - L - PX - 2450S		
in.(mm)				
SCALE	<b>NEARSON</b>			
None				

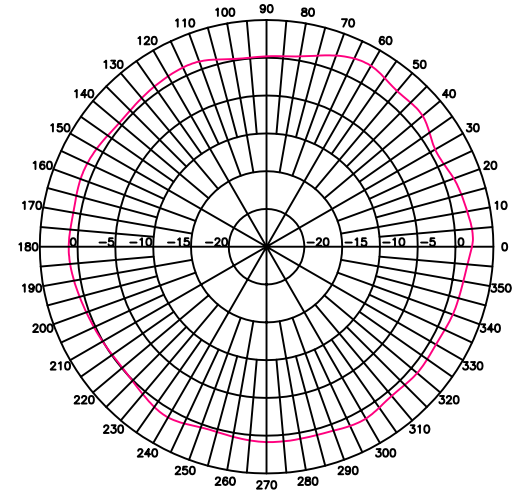


Recommended Mounting - Hole Dimensions

E-Plane Pattern @ 2.45GHz



H-Plane Pattern @ 2.45GHz



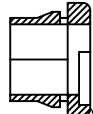
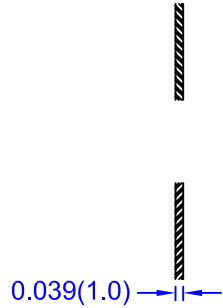
L (inch)	Attenuation (dB)
3"	0.23 dB
4"	0.30 dB
5"	0.38 dB
6"	0.45 dB
8"	0.60 dB
10"	0.75 dB
12"	0.90 dB

Flying Lead Cable Length v.s. Attenuation Table  
1.37mm Cable Measured @ 2.45GHz

TITLE	2.4GHz flying lead panel click antenna - 131 model		DATE	SHEET
			123004	2 of 4
UNIT	DWG. NO.	S131CL - L - PX - 2450S		
in.(mm)				
SCALE	<b>NEARSON</b>			
None				

①

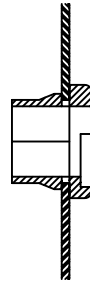
Housing Wall



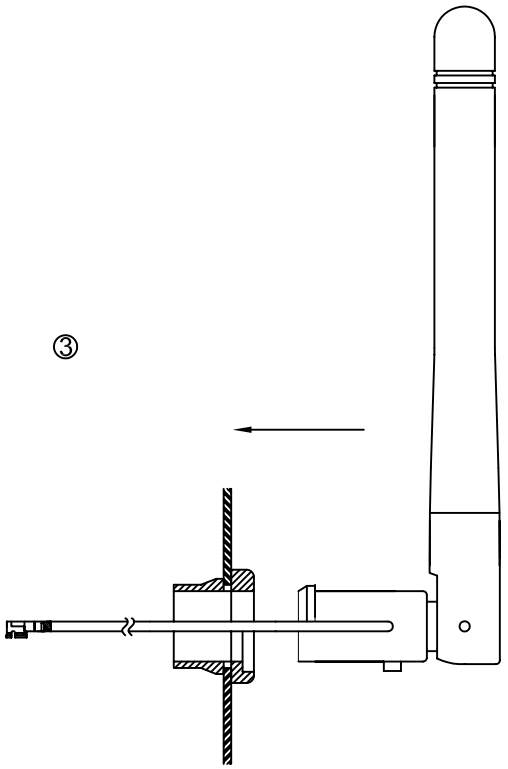
This side down

②

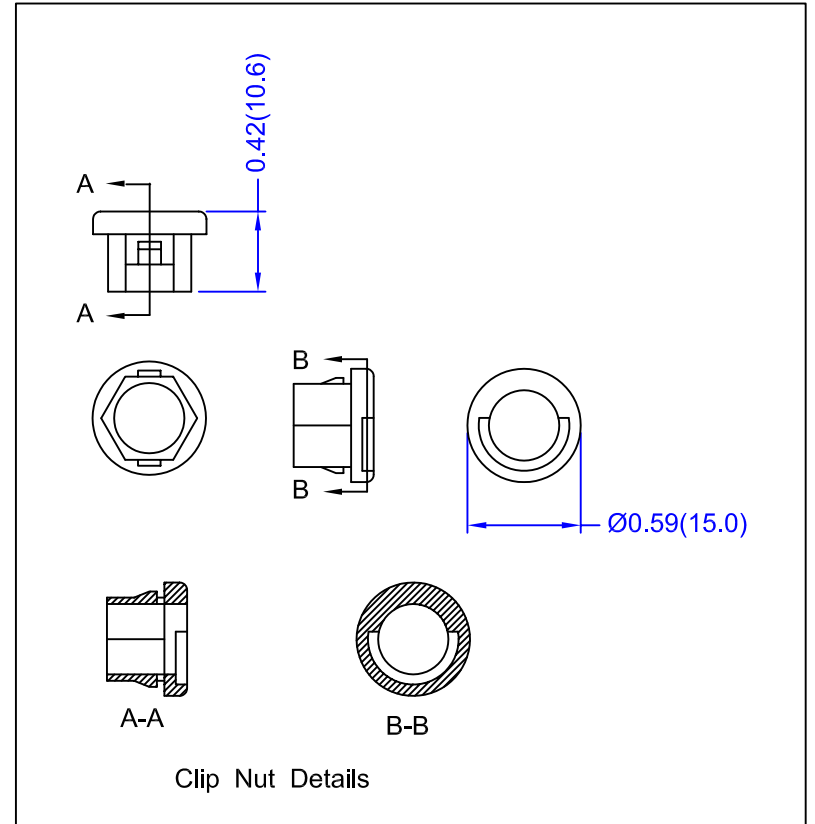
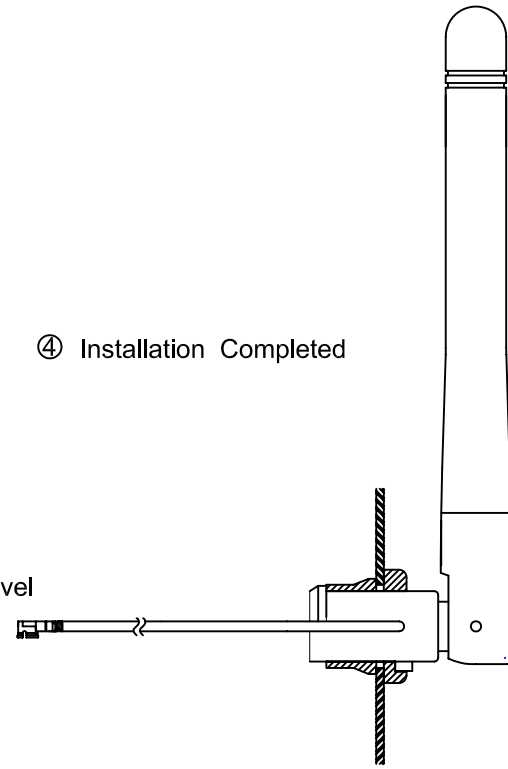
Push the Nut into the Housing Wall



③



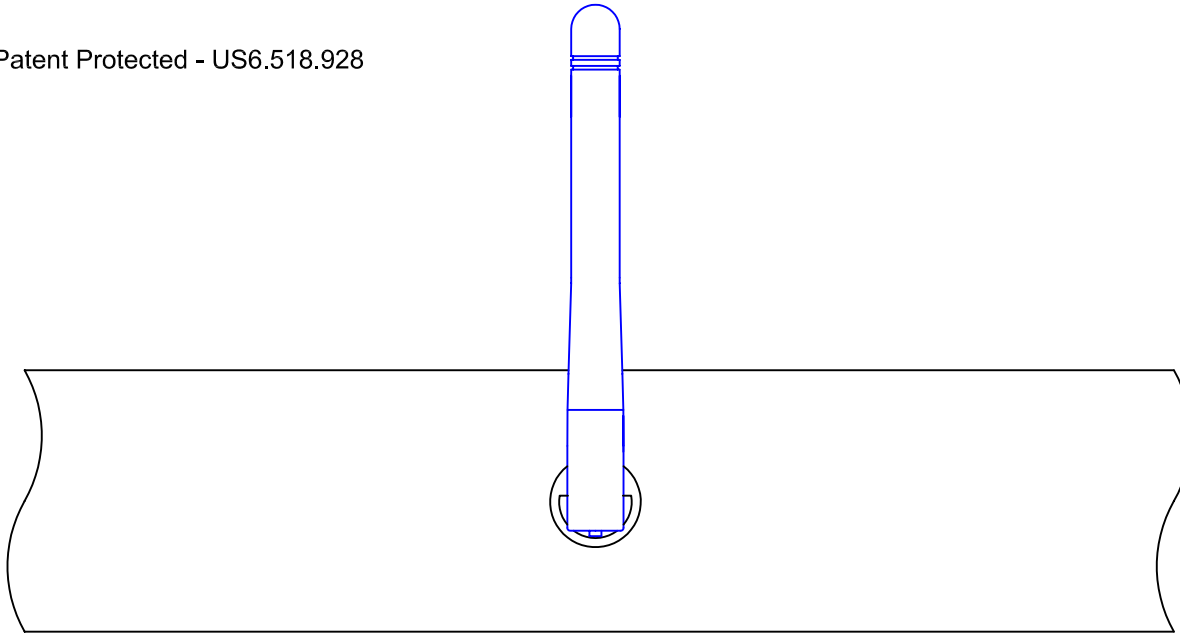
④ Installation Completed



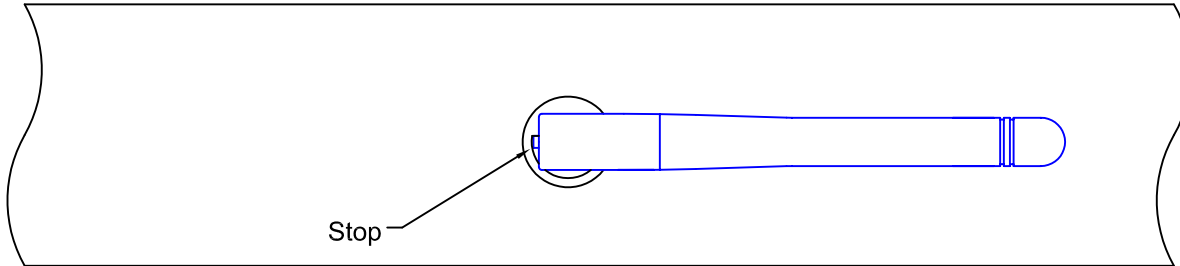
Clip Nut Details

TITLE	2.4GHz flying lead panel click antenna - 131 model		DATE	SHEET
			123004	3 of 4
UNIT	DWG. NO.	S131CL - L - PX - 2450S		
in.(mm)				
SCALE				
None				

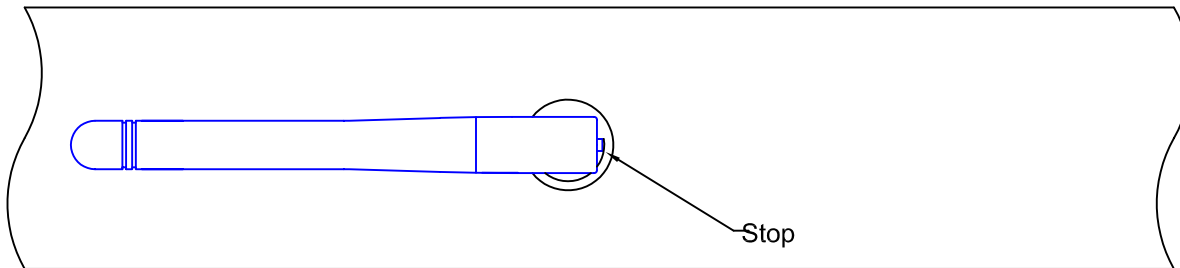
**NEARSON**



Antenna Upword



Rotation +90°



Rotation -90°

1. 131CL model can also rotate in panel parallel direction.
2. Rotate in -90° to +90° prevent the cable over-twisted inside the device.
3. The antenna can stay in any angle between -90° and +90°.

TITLE	2.4GHz flying lead panel click antenna - 131 model	DATE	SHEET
		123004	4 of 4
UNIT	DWG. NO.	S131CL - L - PX - 2450S	
in.(mm)			
SCALE			
None			